

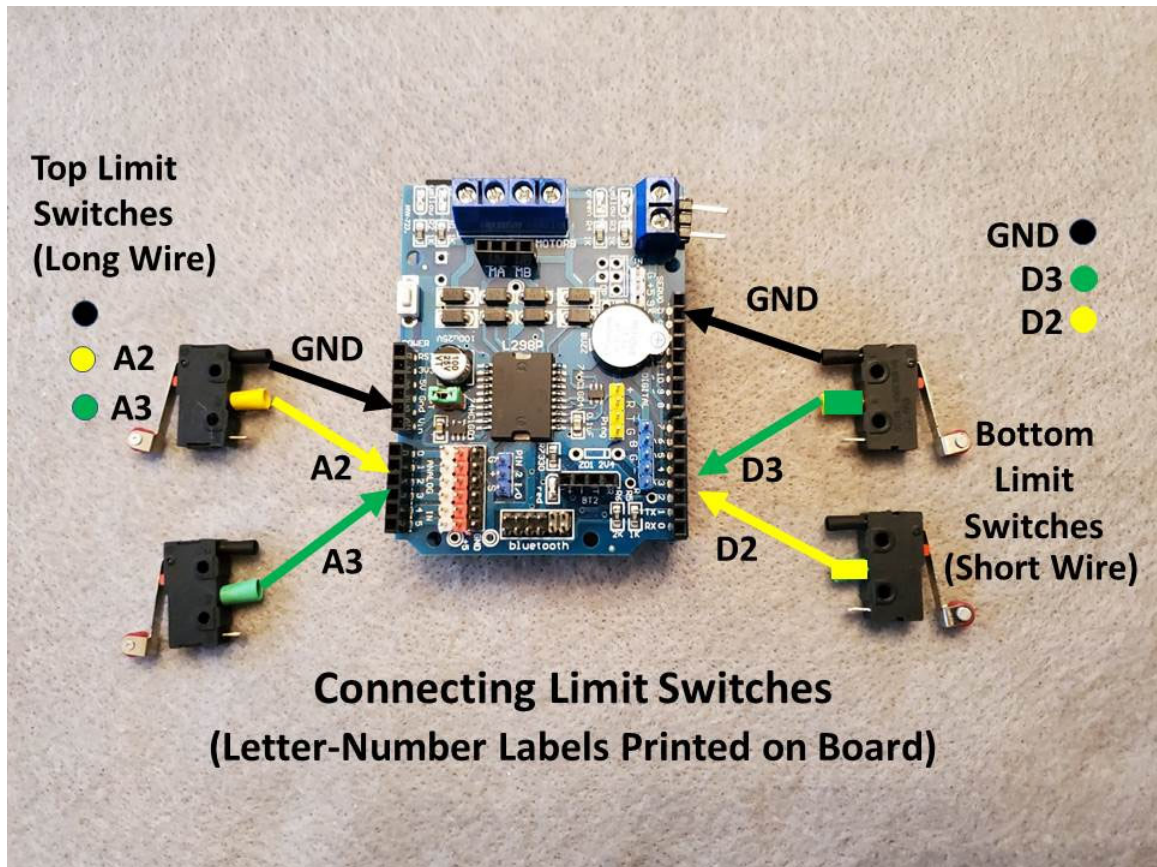
Rover Camera Mount Assembly
Jackson State University MARRS STEM Workshop
February 27, 2021

Objective: Complete the Camera Mount assembly and process successfully.

Tools and materials: Needle nose pliers, Phillip's screwdriver, camera parts kit.

12. Bottom Limit Switches Interface Connections

- (1) Use the following photo in reference to and **Bottom Limit Switches to Digital Connectors: D2, D3, GND**



- (1) The photo shows the connection on the Rover Driver Board for **D2, D3, & GND** to the Top Stepper Limit Switch wires and are marked as **GREEN, YELLOW, & BLACK** sleeves.

